

# LIFEBUOY EQUIPMENT

SKU - 40020021, 40020022

## INTEGRATED LIFEBUOY HOUSING

### DESCRIPTION

Our integrated lifebuoy housing is available in sizes to suit a 24" or 30" lifebuoy .

Designed in consultation with the RNLI. The easy-access door enables fast deployment of the Lifebuoy and Rescue Line as well as offering weather protection.

For mounting, 2 x GRP poles are needed or alternatively a single pole can be used when fitted with the single pole adaptor which is available separately.



	To fit 24" Lifebuoy	To fit 30" Lifebuoy
Material	Polyethylene	Polyethylene
Height x Width	809 x 795 mm	930 x 918 mm
Depth	175 mm	210 mm
Weight (without Lifebuoy/Line/Mountings)	6.5 kg	12.5 kg
Overall height when pole-mounted	1806 mm	1858 mm
Colour	Orange	Orange

1





# LIFEBUOY EQUIPMENT

SKU - , 40020021, 40020022

## INTEGRATED LIFEBUOY HOUSING

### MOUNTING OPTIONS

There are various mounting options depending on the ground or location that the housing will be situated, available options include the following:

#### Galvanised or GRP Sub-Surface Pole

For use with soft ground i.e. Grass

(For integrated housings 2 x GRP poles are needed or the addition of a single pole adaptor )

#### Galvanised or GRP Hard-Surface Pole

For fitting directly to a hard surface i.e. Concrete

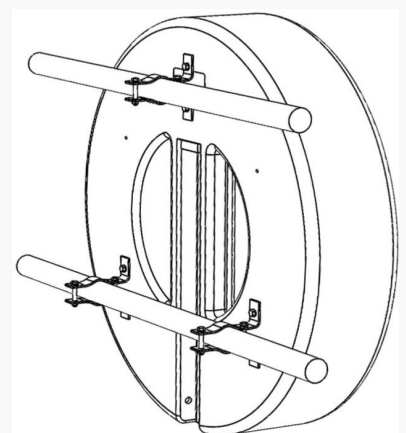
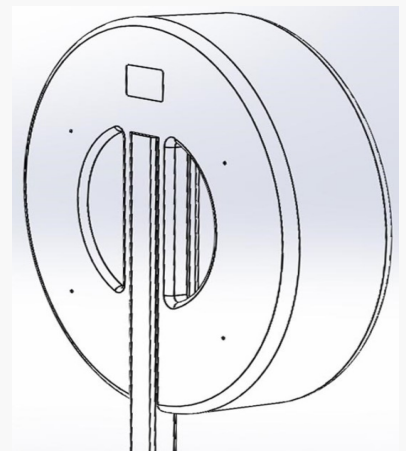
(For integrated housings 2 x GRP poles are needed or the addition of a single pole adaptor )

#### Rail Clamps

For fitting the housing directly to railings

#### Wall Fixing

Fix directly to a wall, no fixings supplied





# LIFEBUOY EQUIPMENT

SKU - , 40020021, 40020022

## INTEGRATED LIFEBOUY HOUSING

### POLE MOUNTING

#### SURFACE MOUNTING

Use the footplate as a template. Drill 4 holes and insert ground bolts (not supplied) or equivalent to secure

#### EMBEDDED POLES

Sink galvanised poles to a depth of 550mm. Sink GRP poles to a depth of 500mm.

The back of the housing is moulded to receive our 60 x 40mm galvanised pole or our 60mm dia GRP pole

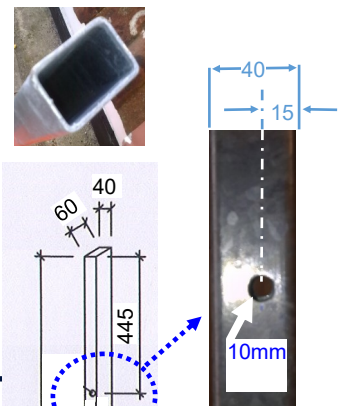
#### INSTALLATION WITH GALVANISED POLES

The lug at the top of the pole channel will accept the open end of the pole



#### Securing Nut & Bolt

To secure the housing to a galvanised pole a nut and 90mm bolt is supplied. The housing and the pole are both

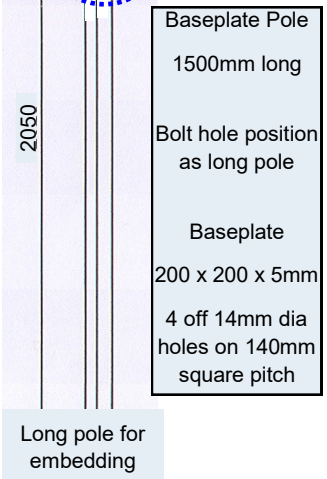


#### INSTALLATION WITH GRP POLES

- GRP Long Poles  
60dia x 2000mm
- GRP Baseplate Poles  
60dia x 1500mm



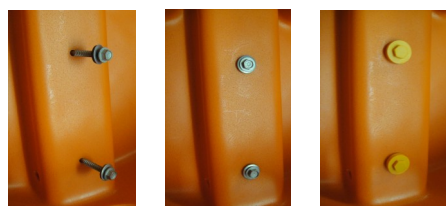
The lug at the top of the pole channel will accept the open end of the round (60mm) GRP pole. The exposed open end of the GRP pole is usually sealed with a half-cap (supplied).



To secure the housing to a GRP pole two stitch screws (M5 x 37mm) and caps are supplied. The housing is pre-marked to show the positions of the screws.



Stitch screw guides





# LIFEBUOY EQUIPMENT

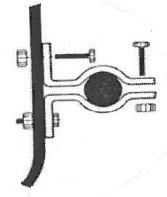
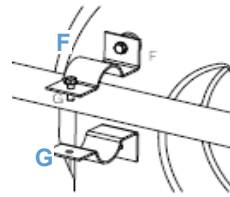
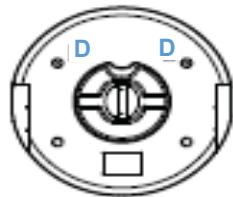
SKU - 40020019, 40020020, 40020021, 40020022

## INTEGRATED LIFEBUOY HOUSING

### RAIL & WALL MOUNTING

#### RAIL MOUNTING

1. Using an 8mm bit drill through the two recesses (D & D). Use two of the shorter bolts to fix one half of a bracket (F) at each hole
2. The housing will now hang on the chosen top rail enabling accurate positioning of the lower halves of the brackets. Drill the housing to accept the lower part of the brackets
3. Use the short bolts to fix the bottom section of the brackets (G) to the housing
4. Use the long bolts to secure together the two bracket halves (F & G)
5. To secure the bottom bracket, rest the top half over a lower rail and mark the hole position on the housing. Then drill through.
6. Position and fit the lower half of the bottom bracket using the short and long bolts as described above

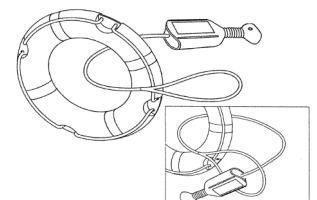


#### WALL MOUNTING

1. Using an 8mm bit (not supplied) drill through the four clearly marked mounting points in the back of the housing
2. Offer up the housing. Drill and plug the wall as necessary.

### TO FIT THE RESCUE LINE (optional)

1. Pass the large loop of the line through the centre of the lifebuoy and around its body, but under the grab line. Pass the rescue line case through the loop
2. Pull tight and ensure the protective sleeve covers the exposed line. Thread any slack back in to the case, and position the foam pad at the top of the case
3. Locate the line holder inside the lifebuoy, as shown
4. When the lifebuoy is in situ the line case will sit in the vertical channel in the housing.



4

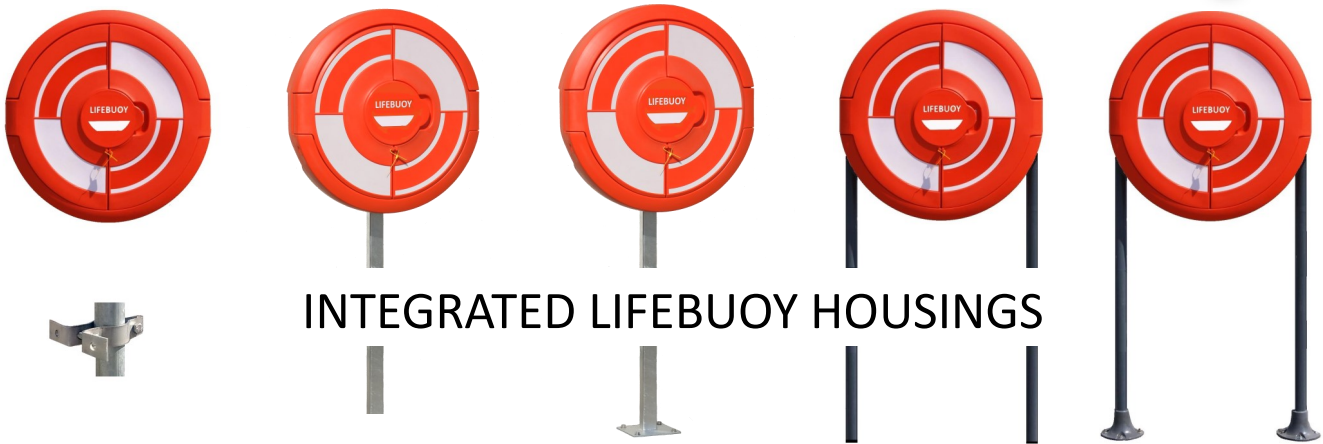
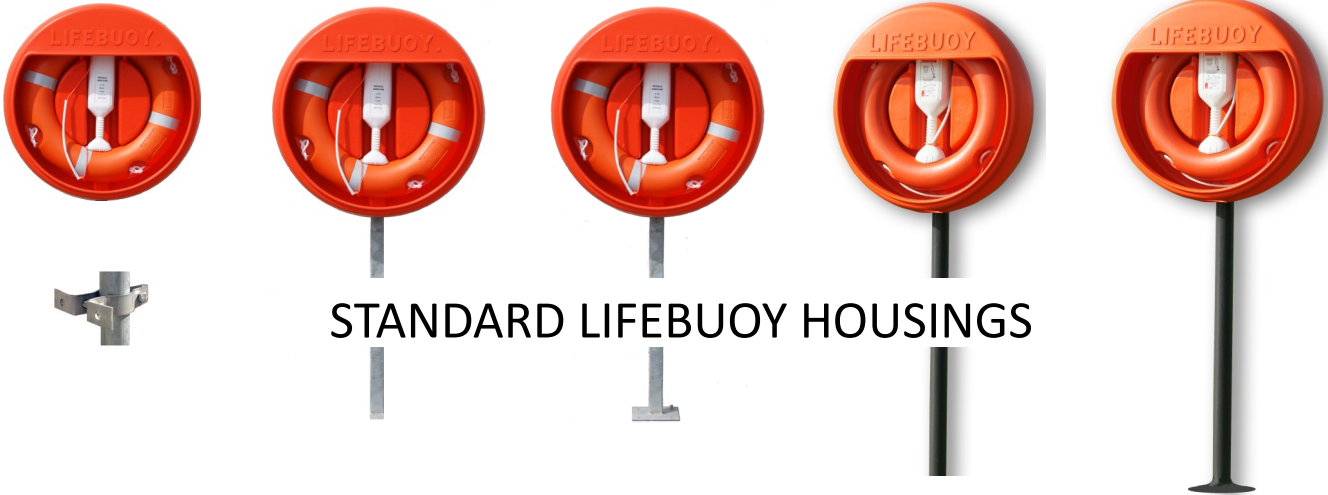


# LIFEBUOY EQUIPMENT

SKU - 40020019, 40020020, 40020021, 40020022

## INTEGRATED LIFEBOUY HOUSING

### Housing Sets



5



[www.icbrindle.com](http://www.icbrindle.com)



+44 (0) 1202 657814



[info@icbrindle.com](mailto:info@icbrindle.com)

Follow us on :



# LIFEBUOY EQUIPMENT

SKU - 40020019, 40020020, 40020021, 40020022

## INTEGRATED LIFEBUOY HOUSING

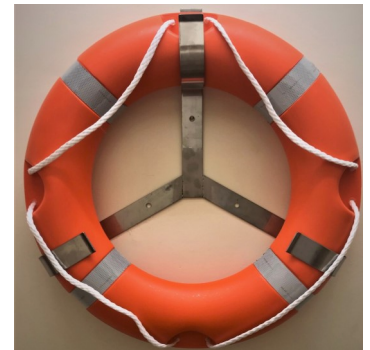
### Lifbuoy mountings



**Stainless Steel Lifbuoy Hook**



**Stainless Steel Lifbuoy 'Y' Bracket**



**Plastic Lifbuoy Snatch**



6



[www.icbrindle.com](http://www.icbrindle.com)



+44 (0) 1202 657814



[info@icbrindle.com](mailto:info@icbrindle.com)

Follow us on :

