



# LIFEBUOY EQUIPMENT

SKU - 40020019, 40020020, 40020021, 40020022

## STANDARD LIFEBUOY HOUSING

### DESCRIPTION

This popular lifebuoy housing is available in sizes to suit a 24" or 30" lifebuoy .  
 The design is open fronted to make it easier to access the lifebuoy and line stored inside.  
 The lifebuoy is located onto two internal hooks and the encapsulated safety line fits neatly through the centre.  
 A front cover is also available for additional weather protection .



DATA		
To suit lifebuoy size	30"	22" / 24"
Material	Polyethylene	
Colours:	Standard Orange. Others on request	
Weight (kg) (without lifebuoy)	9	7
Dimensions (mm)	850 diam x 200 depth	700 diam x 200 depth
Overall height (mm) when pole mounted	1750	1710

1





# LIFEBUOY EQUIPMENT

SKU - 40020019, 40020020, 40020021, 40020022

## STANDARD LIFEBUOY HOUSING

### MOUNTING OPTIONS

There are various mounting options depending on the ground or location that the housing will be situated, available options include the following:

#### **Galvanised or GRP Sub-Surface Pole**

For use with soft ground i.e Grass

#### **Galvanised or GRP Hard-Surface Pole**

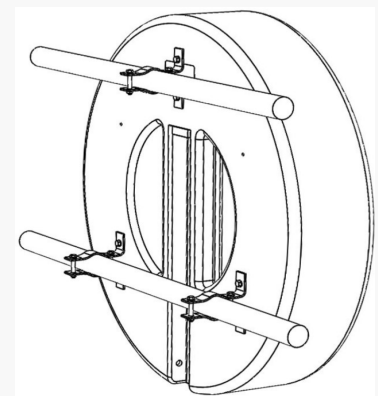
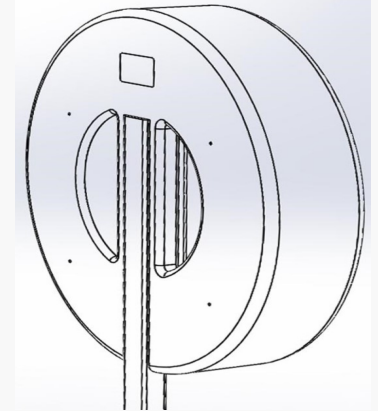
For fitting directly to a hard surface i.e Concrete

#### **Rail Clamps**

For fitting the housing directly to railings

#### **Wall Fixing**

Fix directly to a wall, no fixings supplied







# LIFEBUOY EQUIPMENT

SKU - 40020019, 40020020, 40020021, 40020022

## STANDARD LIFEBUOY HOUSING

### POLE MOUNTING

#### SURFACE MOUNTING

Use the footplate as a template. Drill 4 holes and insert ground bolts (not supplied) or equivalent to secure

#### EMBEDDED POLES

Sink galvanised poles to a depth of 550mm. Sink GRP poles to a depth of 500mm.

The back of the housing is moulded to receive our 60 x 40mm galvanised pole or our 60mm dia GRP pole

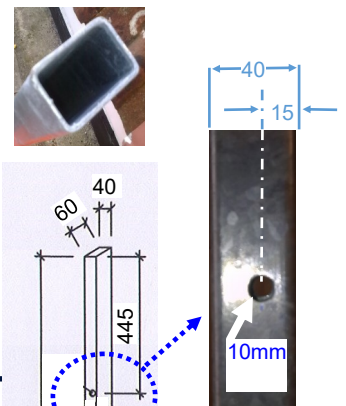
#### INSTALLATION WITH GALVANISED POLES

The lug at the top of the pole channel will accept the open end of the pole



#### Securing Nut & Bolt

To secure the housing to a galvanised pole a nut and 90mm bolt is supplied. The housing and the pole are both

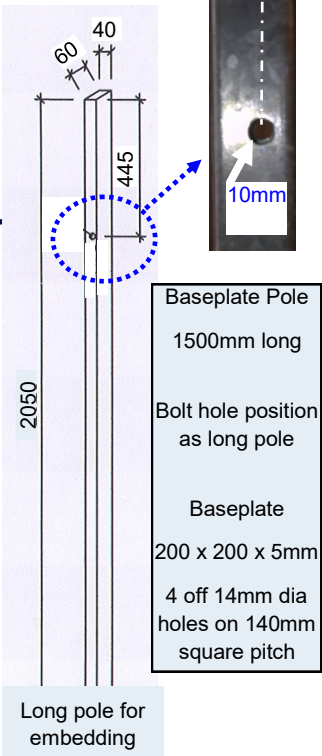


#### INSTALLATION WITH GRP POLES

- GRP Long Poles  
60dia x 2000mm
- GRP Baseplate Poles  
60dia x 1500mm



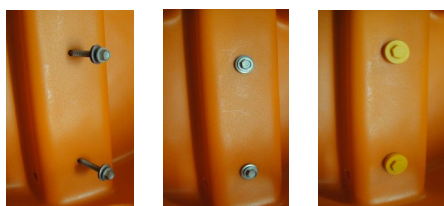
The lug at the top of the pole channel will accept the open end of the round (60mm) GRP pole. The exposed open end of the GRP pole is usually sealed with a half-cap (supplied).



To secure the housing to a GRP pole two stitch screws (M5 x 37mm) and caps are supplied. The housing is pre-marked to show the positions of the screws.



Stitch screw guides



# LIFEBUOY EQUIPMENT

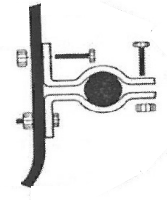
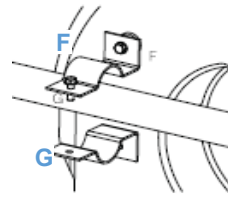
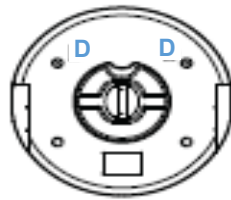
SKU - 40020019, 40020020, 40020021, 40020022

## STANDARD LIFEBUOY HOUSING

### RAIL & WALL MOUNTING

#### RAIL MOUNTING

1. Using an 8mm bit drill through the two recesses (D & D). Use two of the shorter bolts to fix one half of a bracket (F) at each hole
2. The housing will now hang on the chosen top rail enabling accurate positioning of the lower halves of the brackets. Drill the housing to accept the lower part of the brackets
3. Use the short bolts to fix the bottom section of the brackets (G) to the housing
4. Use the long bolts to secure together the two bracket halves (F & G)
5. To secure the bottom bracket, rest the top half over a lower rail and mark the hole position on the housing. Then drill through.
6. Position and fit the lower half of the bottom bracket using the short and long bolts as described above

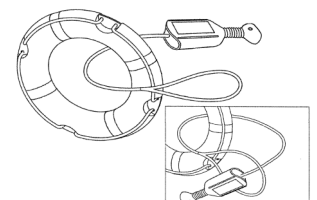


#### WALL MOUNTING

1. Using an 8mm bit (not supplied) drill through the four clearly marked mounting points in the back of the housing
2. Offer up the housing. Drill and plug the wall as necessary.

### TO FIT THE RESCUE LINE (optional)

1. Pass the large loop of the line through the centre of the lifebuoy and around its body, but under the grab line. Pass the rescue line case through the loop
2. Pull tight and ensure the protective sleeve covers the exposed line. Thread any slack back in to the case, and position the foam pad at the top of the case
3. Locate the line holder inside the lifebuoy, as shown
4. When the lifebuoy is in situ the line case will sit in the vertical channel in the housing.



4



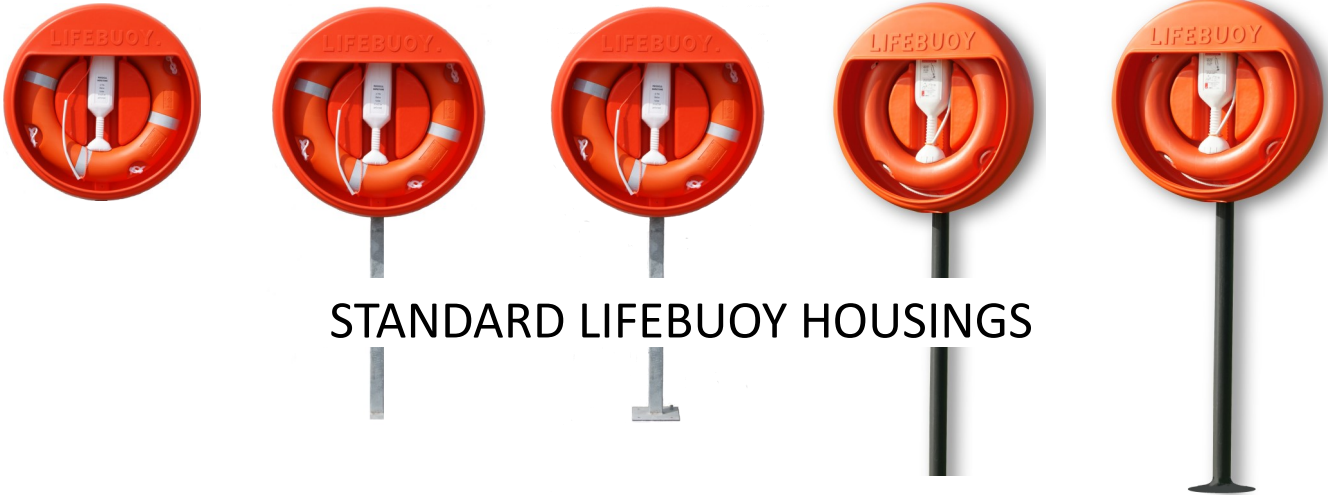


# LIFEBUOY EQUIPMENT

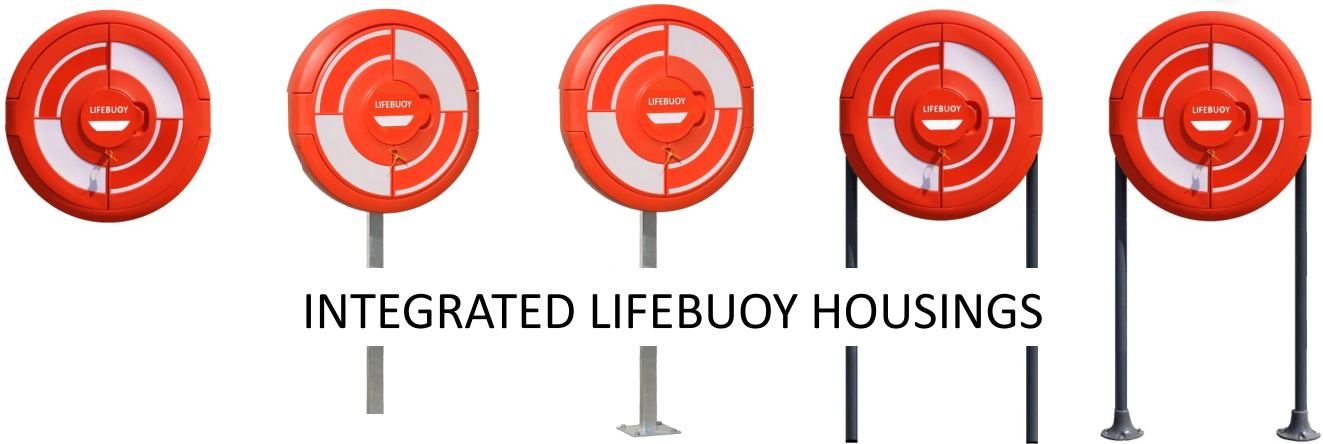
SKU - 40020019, 40020020, 40020021, 40020022

## STANDARD LIFEBUOY HOUSING

### Housing Sets



STANDARD LIFEBUOY HOUSINGS



INTEGRATED LIFEBUOY HOUSINGS



CONTRACTORS RANGE

5



[www.icbrindle.com](http://www.icbrindle.com)



+44 (0) 1202 657814



[info@icbrindle.com](mailto:info@icbrindle.com)

Follow us on :



# LIFEBUOY EQUIPMENT

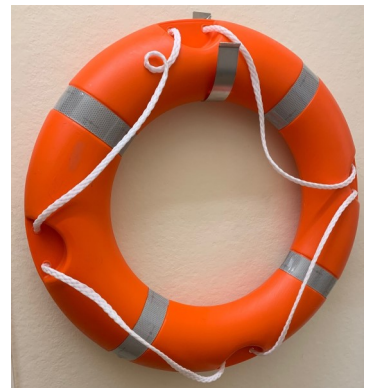
SKU - 40020019, 40020020, 40020021, 40020022

## STANDARD LIFEBUOY HOUSING

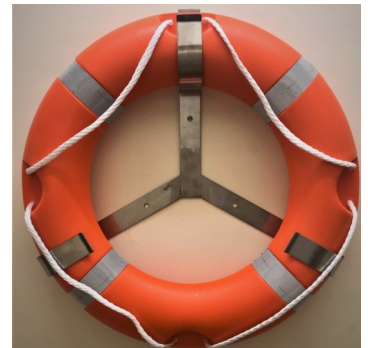
### Lifbuoy mountings



**Stainless Steel Lifbuoy Hook**



**Stainless Steel Lifbuoy 'Y' Bracket**



**Plastic Lifbuoy Snatch**



6



[www.icbrindle.com](http://www.icbrindle.com)



+44 (0) 1202 657814



[info@icbrindle.com](mailto:info@icbrindle.com)

Follow us on :



YouTube