



LIFEBUOY EQUIPMENT

SKU - 40020019, 40020020, 40020021, 40020022

STANDARD LIFEBUOY HOUSING

DESCRIPTION

This popular lifebuoy housing is available in sizes to suit a 24" or 30" lifebuoy .
 The design is open fronted to make it easier to access the lifebuoy and line stored inside.
 The lifebuoy is located onto two internal hooks and the encapsulated safety line fits neatly through the centre.
 A front cover is also available for additional weather protection .



DATA		
To suit lifebuoy size	30"	22" / 24"
Material	Polyethylene	
Colours:	Standard Orange. Others on request	
Weight (kg) (without lifebuoy)	9	7
Dimensions (mm)	850 diam x 200 depth	700 diam x 200 depth
Overall height (mm) when pole mounted	1750	1710

1





LIFEBUOY EQUIPMENT

SKU - 40020019, 40020020, 40020021, 40020022

STANDARD LIFEBUOY HOUSING

MOUNTING OPTIONS

There are various mounting options depending on the ground or location that the housing will be situated, available options include the following:

Galvanised or GRP Sub-Surface Pole

For use with soft ground i.e Grass

Galvanised or GRP Hard-Surface Pole

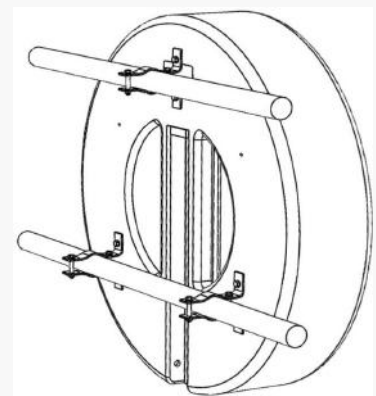
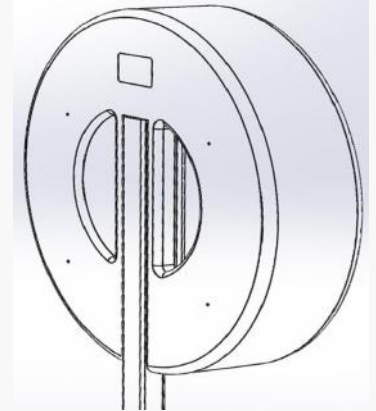
For fitting directly to a hard surface i.e Concrete

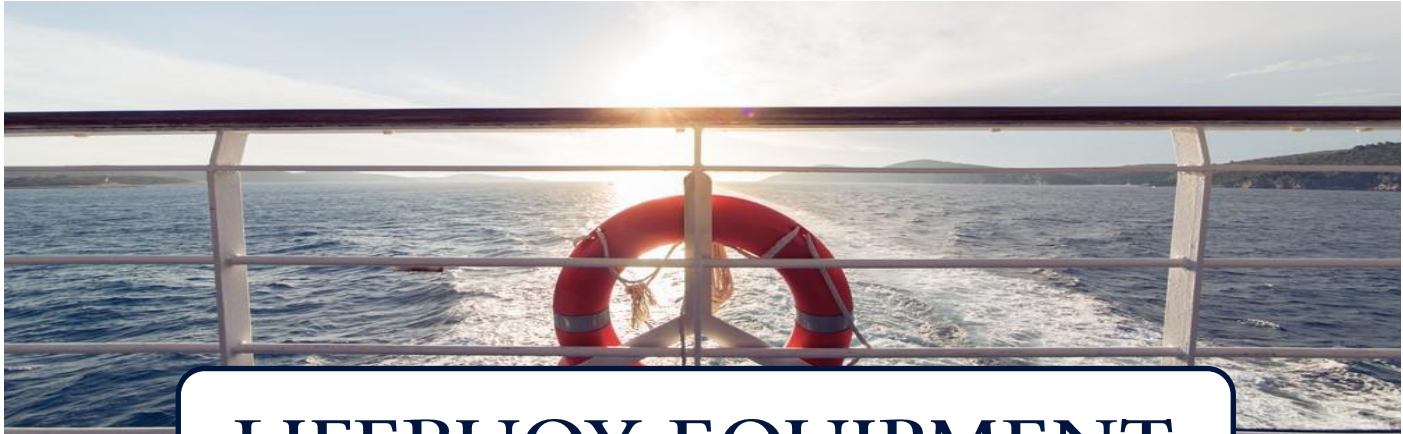
Rail Clamps

For fitting the housing directly to railings

Wall Fixing

Fix directly to a wall, no fixings supplied





LIFEBUOY EQUIPMENT

SKU - 40020019, 40020020, 40020021, 40020022

STANDARD LIFEBUOY HOUSING

POLE MOUNTING

SURFACE MOUNTING

Use the footplate as a template. Drill 4 holes and insert ground bolts (not supplied) or equivalent to secure

EMBEDDED POLES

Sink galvanised poles to a depth of 550mm. Sink GRP poles to a depth of 500mm.

The back of the housing is moulded to receive our 60 x 40mm galvanised pole or our 60mm dia GRP pole

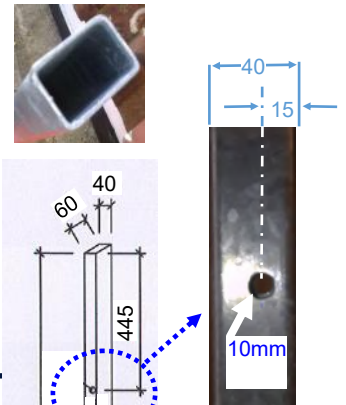
INSTALLATION WITH GALVANISED POLES

The lug at the top of the pole channel will accept the open end of the pole



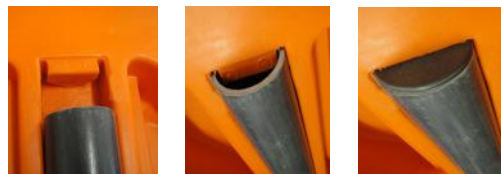
Securing Nut & Bolt

To secure the housing to a galvanised pole a nut and 90mm bolt is supplied. The housing and the pole are both

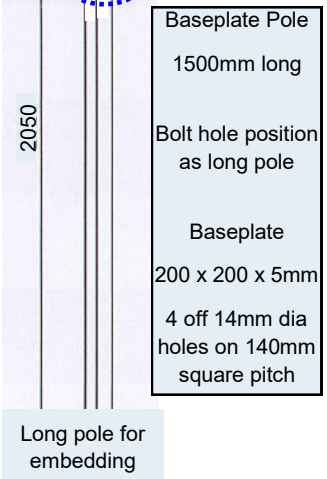


INSTALLATION WITH GRP POLES

- GRP Long Poles
60dia x 2000mm
- GRP Baseplate Poles
60dia x 1500mm



The lug at the top of the pole channel will accept the open end of the round (60mm) GRP pole. The exposed open end of the GRP pole is usually sealed with a half-cap (supplied).



To secure the housing to a GRP pole two stitch screws (M5 x 37mm) and caps are supplied. The housing is pre-marked to show the positions of the screws.



Stitch screw guides



LIFEBUOY EQUIPMENT

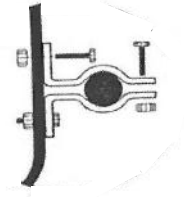
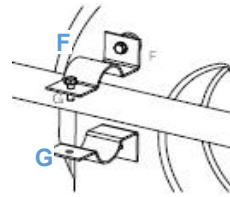
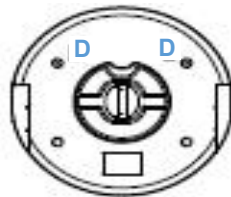
SKU - 40020019, 40020020, 40020021, 40020022

STANDARD LIFEBUOY HOUSING

RAIL & WALL MOUNTING

RAIL MOUNTING

1. Using an 8mm bit drill through the two recesses (D & D). Use two of the shorter bolts to fix one half of a bracket (F) at each hole
2. The housing will now hang on the chosen top rail enabling accurate positioning of the lower halves of the brackets. Drill the housing to accept the lower part of the brackets
3. Use the short bolts to fix the bottom section of the brackets (G) to the housing
4. Use the long bolts to secure together the two bracket halves (F & G)
5. To secure the bottom bracket, rest the top half over a lower rail and mark the hole position on the housing. Then drill through.
6. Position and fit the lower half of the bottom bracket using the short and long bolts as described above

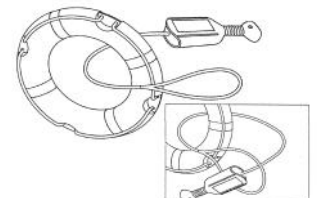


WALL MOUNTING

1. Using an 8mm bit (not supplied) drill through the four clearly marked mounting points in the back of the housing
2. Offer up the housing. Drill and plug the wall as necessary.

TO FIT THE RESCUE LINE (optional)

1. Pass the large loop of the line through the centre of the lifebuoy and around its body, but under the grab line. Pass the rescue line case through the loop
2. Pull tight and ensure the protective sleeve covers the exposed line. Thread any slack back in to the case, and position the foam pad at the top of the case
3. Locate the line holder inside the lifebuoy, as shown
4. When the lifebuoy is in situ the line case will sit in the vertical channel in the housing.



4



LIFEBUOY EQUIPMENT

SKU - 40020019, 40020020, 40020021, 40020022

STANDARD LIFEBUOY HOUSING

Housing Sets



5



www.icbrindle.com



+44 (0) 1202 657814



info@icbrindle.com

Follow us on :



LIFEBUOY EQUIPMENT

SKU - 40020019, 40020020, 40020021, 40020022

STANDARD LIFEBUOY HOUSING

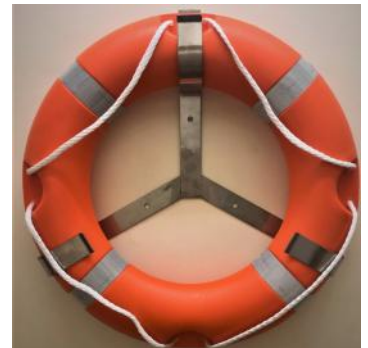
Lifbuoy mountings



Stainless Steel Lifebuoy Hook



Stainless Steel Lifebuoy 'Y' Bracket



Plastic Lifebuoy Snatch

