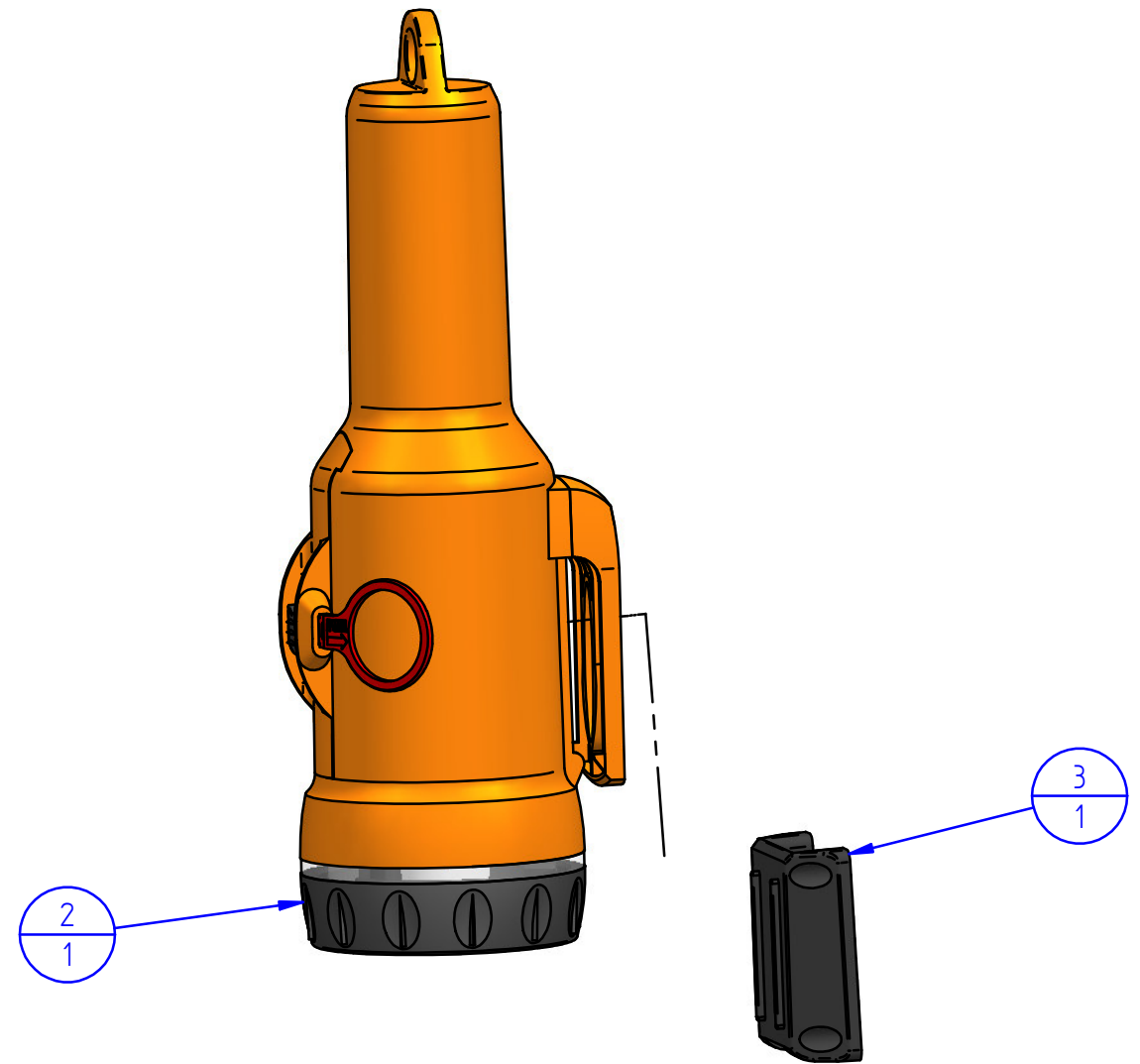
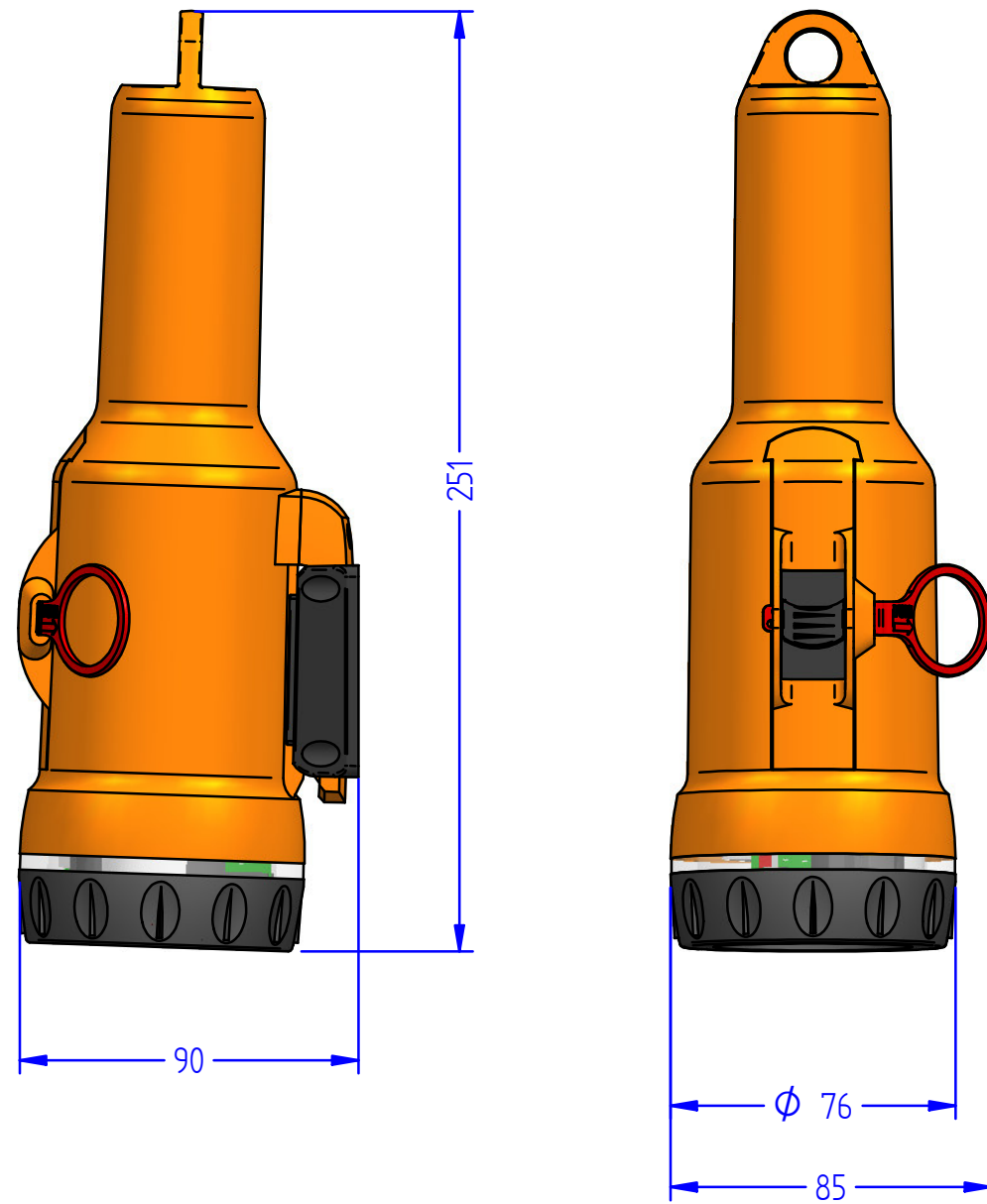



Item Number	Document Number	Title	Material	Quantity
2	M-83010	Tron SART20		1
3	M-82746	WALL BRACKET	ROTEC ASA S 510	1



Rev	Symb	EM No	Sign	Date	Description / Change
P-1	-	LE	22.03.2007	Draft version	
Revision History					

Material:		This drawing is a property of Jotron El. and must not be duplicated or used for manufacture of the parts disclosed herein without permission from Jotron Electronics			
General Tolerance: NS-ISO-2768-1-m		General Surface Roughness, Ra:			
Approved:	Original Model: LE	Original Draft: LE	Date: See Revision History		
TRON SART 20 IN WALL BRACKET Tron SART 20				Size: A3	Scale: 1:2
				Sheet: 1/1	Rev:
				M-83010, M-82746	